



## Installation of the PVC Shutter Retainer Kit (16-0052)

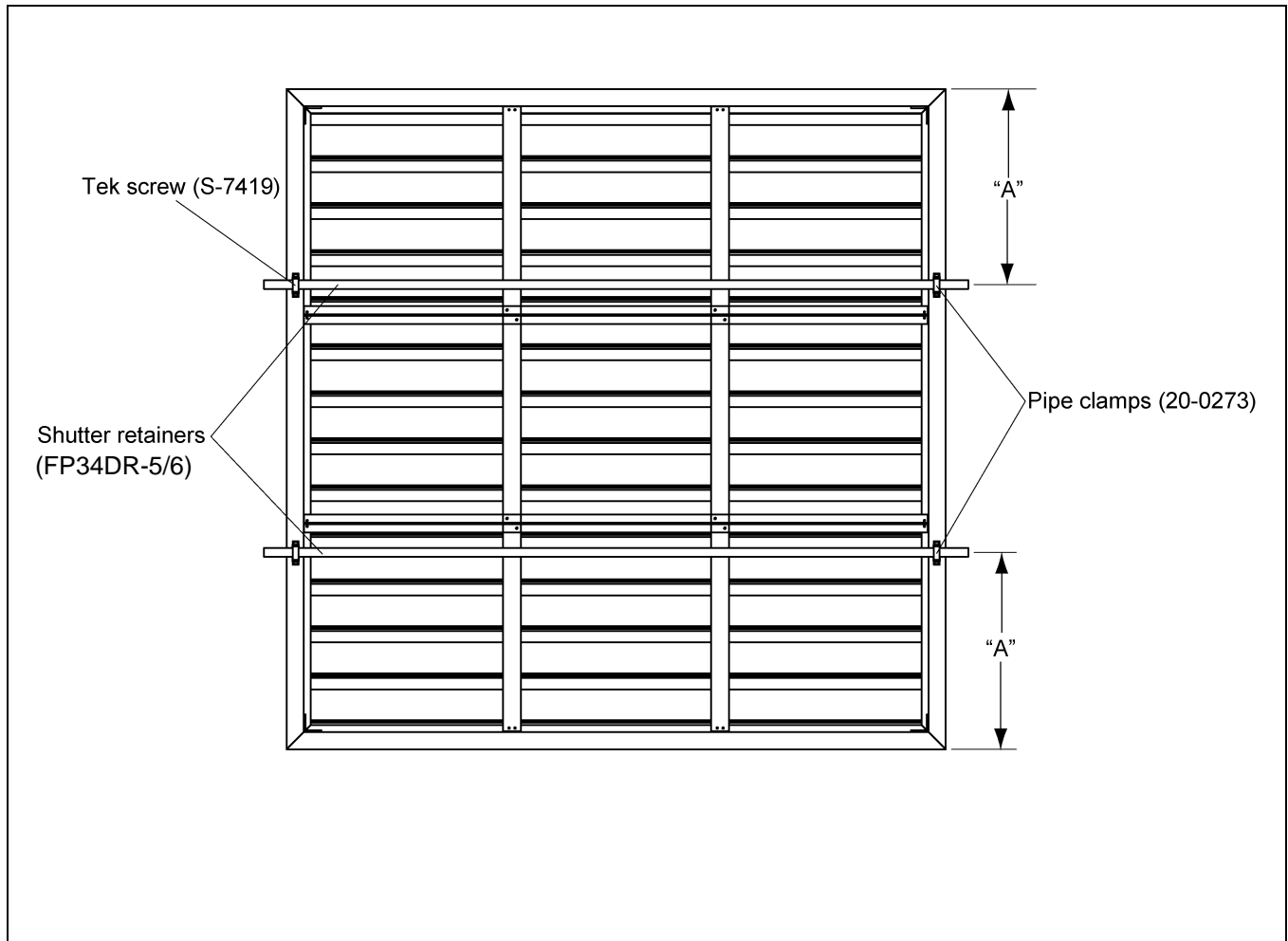


Figure 1

### Consists of:

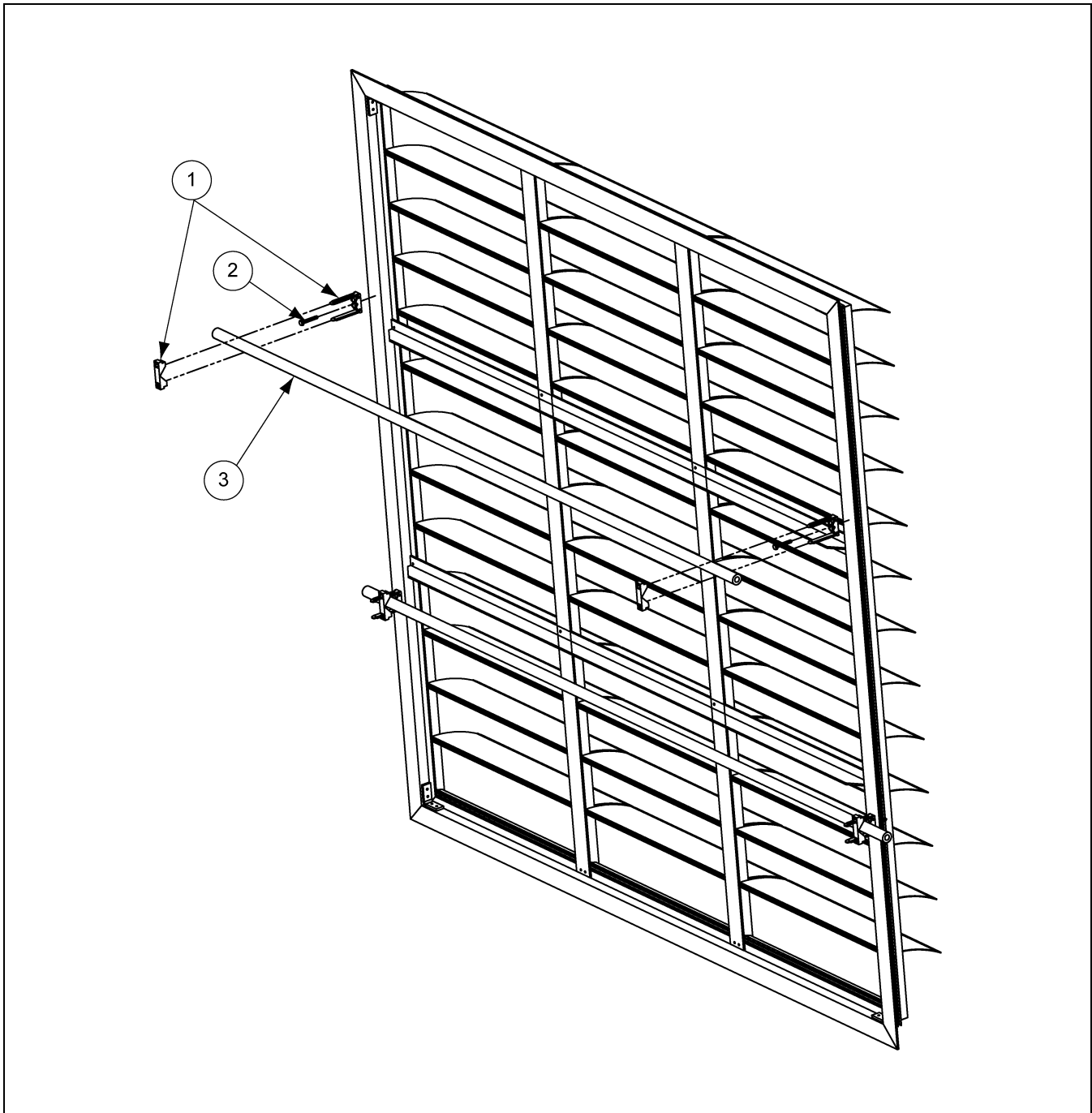
1. Four (4) pipe clamps (20-0273)
2. Two (2) shutter retainers (FP34DR-5/6)
3. Four (4) #10-16 x 1-1/4" self-drilling screws (S-7419)

Mount pipe clamps just outside of the shutter flanges according to dimension "A". (See Figure 1 and table below.)

Fan Dimension	"A"
36"	10"
48", 50, and 54"	15"



**PVC Shutter Retainer Kit (16-0052)**



PVC Shutter Retainer Kit Parts List (16-0052)			
Ref #	Part #	Description	Qty
1	20-0273	Touchdown Pipe Clamps	4
2	S-7419	Screw SDS #10-16 x 1-1/4" HWH SS410	4
	PNEG-386	PVC Shutter Retainer Instructions	1
3	FP34DR-5/6	3/4" Drop Rod x 5-1/2' Length	2