

Local add on manual

**Farrowing crate 2300 Type-16**

**Assembly manual**

Code No: 87-19-9610

Edition: 06/2017 EN




## Table of Contents

<b>1. Basic instructions .....</b>	<b>1-1</b>
1.1 Explaining the symbols .....	1-1
1.2 Designated use .....	1-1
1.3 Safety instructions .....	1-1
1.4 Clothing for personal safety .....	1-2
1.5 Assembly and maintenance .....	1-2
1.6 Employing external personnel .....	1-2
1.7 Ordering spare parts .....	1-2
1.8 Obligations .....	1-3
1.9 Warranty and liability .....	1-3
1.10 First aid .....	1-3
1.11 Waste disposal .....	1-4
1.12 Notes for use .....	1-4
1.13 Copyright .....	1-4
<b>2. Before starting to assemble the system .....</b>	<b>2-5</b>
2.1 Notice .....	2-5
2.2 Check before assembly .....	2-5
<b>3. General .....</b>	<b>3-6</b>
<b>4. Material and Assembly .....</b>	<b>4-7</b>
4.1 Farrowing crate 2300 finger protection wi/CSFD type-16 wo/trough&drinker .....	4-7
4.2 Farrowing crate 2300 finger protection wi/BDFD type-16 wo/trough&drinker .....	4-9
4.3 Feet fixing material for farrowing crate .....	4-10
4.3.1 Mounting set for 137mm support (For Australian market) .....	4-10
4.3.2 Mounting set for 120mm support .....	4-11
4.4 Farrowing sow feeders .....	4-12
4.4.1 Crystal Spring feeder for sow wet/dry 2-15" .....	4-12
4.4.2 Crystal Spring feeder for sow wet/dry 3-15" .....	4-13
4.5 BD trough 10L .....	4-14
4.5.1 BD plastic trough 10L .....	4-14
4.5.2 BD SST trough 10L .....	4-15
<b>5. Drop-pipe options .....</b>	<b>5-17</b>
5.1 Drop-pipe 75mm PVC f/dispenser w/o flexible hose farrowing SY cpl. (For Australian market) .....	5-17
5.2 Drop-pipe 60mm straight w/telescopic bell-mouth f/farrowing cpl. (For Australian market) .....	5-18

---



5.3 Drop-pipe 60mm straight w/telescopic bell-mouth f/farrowing cpl.....	5-19
5.4 Drop-pipe 75mm PVC for T-outlet w/o flexible hose farrowing SY cpl. (For Australian market).....	5-20
5.5 T-outlet w/Drop pipe cpl DR1500, telescopic 1600 .....	5-21
<b>6. Drinkers for sows .....</b>	<b>6-22</b>
6.1 Sow drinkers for CS wet/dry feeder.....	6-22
<b>7. Maintenance plan .....</b>	<b>7-23</b>

## 1. Basic instructions

	<p>Please take care of this manual and always keep it in the same place for quick reference.</p> <p>All persons working with the system, assembling, cleaning and servicing it have to be familiar with the contents of these instructions.</p> <p>If this manual should get damaged or lost, <b>Big Dutchman</b> will be glad to provide you with a new copy.</p>
---	--

### 1.1 Explaining the symbols

Upon reading this manual you will come across the following symbols:

	Warning	This symbol indicates risks possibly leading to personal injury resulting in death or to severe injuries.
	Note	This symbol indicates notes leading to an effective, economic and environmentally-conscious handling of the installation.

### 1.2 Designated use

Farrowing crate 2300 type-16 is installed in the farrowing pen and used for farrowing sows.

The **Big Dutchman** installation may only be used according to its designated use. Every other use is considered as non-designated use. The manufacturer does not accept liability for damages resulting from other uses, the user alone has to bear the risk.

The designated use also includes the exact observance of the operation, maintenance and repair instructions as prescribed by the manufacturer.

The limit values indicated in the technical data must never be exceeded.

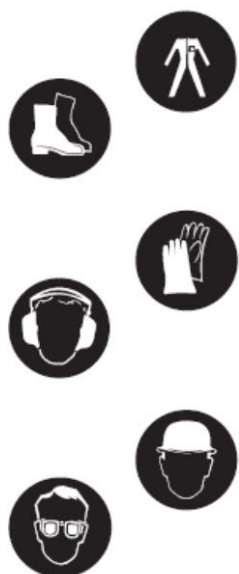
### 1.3 Safety instructions

All established safety precautions and other generally accepted safety regulations and medical references have to be observed. Please check safety and function control devices to ensure safe and accurate operation:

- before putting into operation
- at adequate time intervals
- after modifications or repairs.

Check the proper functioning of the system after any kind of repair works. You may only take the device into operation, when all protective systems have been put into place again.

## 1.4 Clothing for personal safety


	<p>When operating, maintaining and cleaning the system, avoid wearing wide, fluttering clothes, rings and watches.</p> <p>Make sure that long hair is tied back when approaching moving system parts.</p> <p>Hair can get caught in the moving parts and thus create severe injuries.</p> <p>Wear protective clothes and safety footwear upon operating, maintaining and cleaning the system, if required also use safety glasses and protective gloves.</p>
---	--

## 1.5 Assembly and maintenance

Assembly of the installation can be carried out by the farmer himself or by an authorized person. We assume that the operator or authorized person either have some sort of technical training or have the necessary knowledge or practical experience that are a main condition for a proper assembly of the installation.

Repairs may only be carried out by persons who are competent and can guarantee proper handling because of special training or knowledge and practical experience with the unit. The farmer has the sole power of decision. Only work with appropriate tools; in case of possible danger to hands, use protective gloves, and safety glasses in case of danger to the eyes.


## 1.6 Employing external personnel

	<p>As supervisor, you are responsible for the safety of external personnel!</p>
---	---

You as operator are to survey the personnel and to define responsibilities and powers.

Inform these people in detail on the dangers of their area of work. Check their method of working and intervene as soon as possible.

## 1.7 Ordering spare parts

	<p>Operational safety is the prime necessity!</p> <p>For you own safety only use original <b>Big Dutchman</b> spare parts. For foreign products that have not been released or recommended we cannot judge whether there is a safety risk in connection with <b>Big Dutchman</b> systems.</p>
---	---



You can find the exact description of the parts for ordering spare parts by means of the pos. no. in the spare parts list.

Indicate the following for ordering spare parts:

- Code No. and description of the spare part or
- Invoice No. of original invoice

## 1.8 Obligations

Closely adhere to the instructions in this manual.

A basic condition for safe operation and trouble-free handling of this system is the knowledge of the basic safety instructions and regulations.

These mounting instructions, particularly the safety instructions, have to be observed by everyone working with this system. Moreover, the regulations and instructions for the prevention of accidents valid at the respective place of use have to be observed.

The manufacturer is not responsible for any damages to the machine resulting from changes done by the user.

## 1.9 Warranty and liability

Warranty and liability claims regarding personal or material damage are excluded if they result from one or several of the following causes:

- non-designated use of the installation,
- inappropriate mounting and operating of the system,
- operating the system with defective safety equipment or not duly fixed or not functioning safety and protective devices, non-observance of the instructions in this manual regarding transport, stock keeping, mounting, maintenance and upgrading of the system,
- unauthorized modifications on the system
- inappropriate repairs,
- in the event of a disaster caused by foreign matters or force majeure.

## 1.10 First aid

For the case of an accident, unless specified otherwise, a first-aid kit must always be available at the place of work. Material taken out and used is to be replaced immediately.

**If you need help, describe the accident as follows:**

- where it happened
- what happened
- the number of persons injured
- what type of injury
- who is reporting the accident! (Your data)

### **1.11 Waste disposal**

After finishing the assembly or repair of this installation, dispose of the packing material and remains which do not need to be further used according to the legal provisions for recycling.

The same applies to the component parts after putting the installation out of service.

### **1.12 Notes for use**

We reserve the right to modify the construction and technical data for reasons of further development. Therefore, no claims can be derived from the information, pictures, drawings and descriptions. Subject to correction!

If you find mistakes or unclear information in this manual, please do not hesitate to let us know.

### **1.13 Copyright**

This manual is subject to copyright. The information and drawings included in this manual shall not be copied without the manufacturer's consent, nor shall they be used for anything other than the designated use.

#### **Big Dutchman (Tianjin) Livestock Equipment Co., Ltd.**

Shuang Yuan Road 21, Tianjin Beichen Economic Development Zone, Tianjin  
China

Tel: +86 (0)2226970158

Fax: +86 (0)2226970157

E-Mail: [bdchina@bigdutchman.com](mailto:bdchina@bigdutchman.com)

Web: [www.bigdutchman.de](http://www.bigdutchman.de)



## **2. Before starting to assemble the system**

### **2.1 Notice**



Do not put these instructions aside before reading them. Even if you have already installed similar systems, there may always be new information and alterations you are not yet familiar with. Being properly informed will help you to avoid unnecessary work, troubles and expenses.

The instructions, descriptions and data contained in this manual have been compiled to cover the various existing installation possibilities. We therefore request you to select and apply those paragraphs of this manual that apply to your specific system.

### **2.2 Check before assembly**

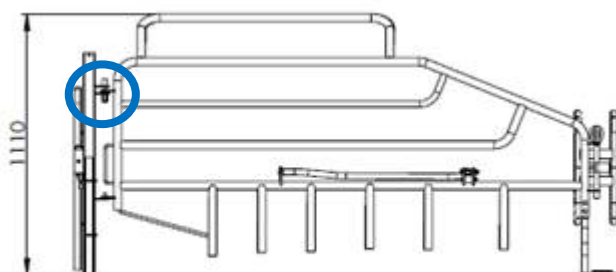
Before starting to assemble the system, check whether:

- house dimensions, installation drawing and order correspond to one another
- the house floor is level and / or the slatted floor has been laid out

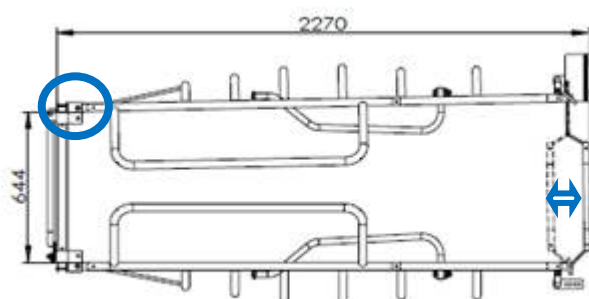


### 3. General

This farrowing crate type-16 series is flexible designed, width and length can be adjusted. The width is adjusted by the pin position of side partition. See under picture in circle. Length can be adjusted by turning the back gate inward and outward.



*Max. width can be adjusted around 9 cm.*



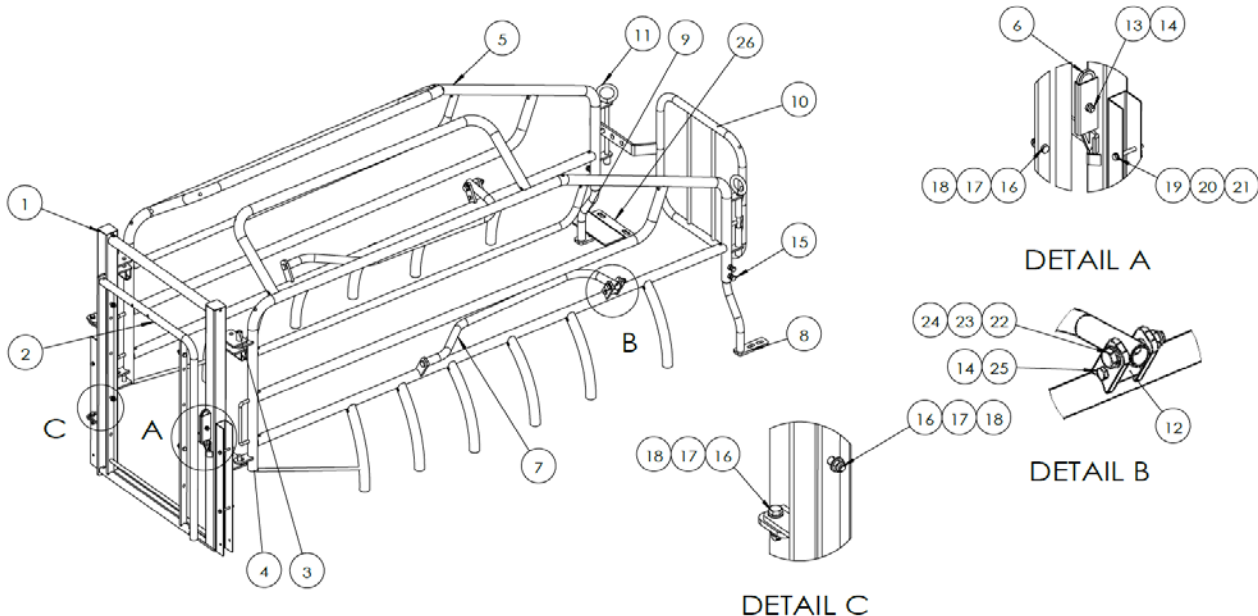
*Length can be adjusted around 15 cm.*

According to the type of sow trough, different farrowing crate model should be chosen so the front door is matched to the trough. Both Crystal Spring feeder and BD 10L trough can be integrated. In the description, "CSFD" means front door for Crystal Spring feeders, and "BDFD" means front door for 10L sow troughs. The crate is also defined with left-hand and right-hand version according to sow move out direction.

Item	Code No.	Description
1	87-02-5377	Farrowing crate 2300 finger protection wi/CSFD type-16 wo/trough&drinker FD RH
2	87-02-5739	Farrowing crate 2300 finger protection wi/CSFD type-16 wo/trough&drinker FD LH
3	87-02-5378	Farrowing crate 2300 finger protection wi/BDFD type-16 wo/trough&drinker FD RH
4	87-02-5918	Farrowing crate 2300 finger protection wi/BDFD type-16 wo/trough&drinker FD RH

## 4. Material and Assembly

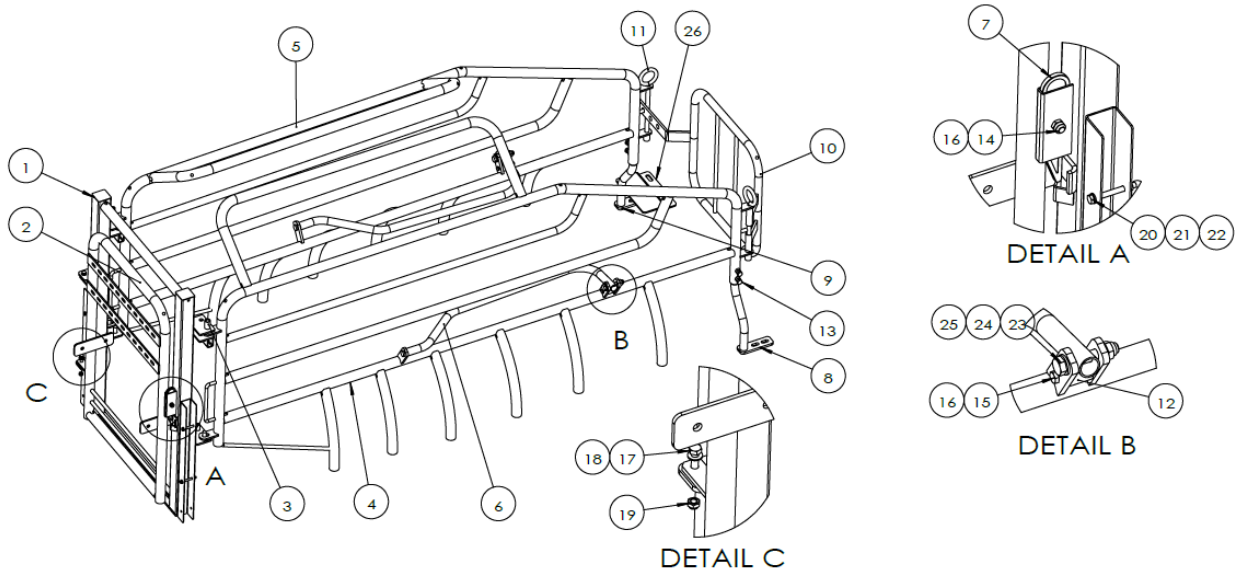
### 4.1 Farrowing crate 2300 finger protection wi/CSFD type-16 wo/trough&drinker



Item	Qty	Code No.	Description
	1	87-02-5377	<b>Farrowing crate 2300 finger protection wi/CSFD type-16 wo/trough&amp;drinker FD RH</b>
1	1	87-02-5344	Tube frame f/front door rh f/farrowing crate type-16 galv.
2	1	87-02-5360	Front door rh type-16 galv. f/CS feeder
3	2	87-02-5354	Door pin galv.
4	1	87-03-0192	Side part 2300 lh w/finger protection type-16 galv.
5	1	87-03-0194	Side part 2300 rh w/finger protection type-16 galv.
6	1	87-00-1038	Flat lock galv
7	2	87-02-5327	Adjusting pipe W=790mm type-16
8	1	87-02-5338	Leg lh for farrowing crate type-16 galv.
9	1	87-02-5335	Leg rh for farrowing crate type-16 galv.
10	1	87-03-0195	Back door type-16 galv.
11	2	87-02-5357	Locking rod galv. f/back door
12	2	87-02-5932	Steel socket dia.30mm L=30mm
13	1	87-19-1549	Hexagon head screw M8x25 Delta-MKS
14	3	87-19-0004	Self-locking counter nut M 8 Delta-MKS

15	4	87-19-1946	Hexagon head screw M10x20 Delta-MKS
16	6	99-20-1451	Hexagon head screw M 8x 30 DIN 933 SST
17	8	99-20-1600	Washer SST A 8.4 DIN 125
18	6	99-20-1193	Self-locking counter nut M 8 SST 1.4401 DIN985 A4-80 Gleitmo
19	4	87-19-1072	Hexagon head screw M6x55 Delta-MKS
20	4	87-19-1378	Washer 6.4x12x1.6 Delta-MKS
21	4	87-19-0003	Self-locking counter nut M 6 Delta-MKS
22	2	99-20-1403	Hexagon head screw M 12x 70 DIN 933 SST
23	4	99-20-1606	Washer SST A 13 DIN 125
24	2	99-20-1508	Self-locking counter nut M12 SST 1.4401 DIN985 A4-80
25	2	87-19-2052	Hexagon head screw M8x60 Delta-MKS
26	1	87-00-1067	Foot plate galv

## 4.2 Farrowing crate 2300 finger protection wi/BDFD type-16 wo/trough&drinker



Item	Qty	Code No.	Description
	<b>1</b>	<b>87-02-5378</b>	<b>Farrowing crate 2300 finger protection wi/BDFD type-16 wo/trough&amp;drinker FD RH</b>
1	1	87-02-5344	Tube frame f/front door rh f/farrowing crate type-16 galv.
2	1	87-02-5370	Front door rh type-16 galv. f/10 ltr trough
3	2	87-02-5354	Door pin galv.
4	1	87-03-0192	Side part 2300 lh w/finger protection type-16 galv.
5	1	87-03-0194	Side part 2300 rh w/finger protection type-16 galv.
6	2	87-02-5327	Adjusting pipe W=790mm type-16
7	1	87-00-1038	Flat lock galv.
8	1	87-02-5338	Leg lh for farrowing crate type-16 galv.
9	1	87-02-5335	Leg rh for farrowing crate type-16 galv.
10	1	87-03-0195	Back door type-16 galv.
11	2	87-02-5357	Locking rod galv. f/back door
12	2	87-02-5932	Steel socket dia.30mm L=30mm
13	4	87-19-1946	Hexagon head screw M10x20 Delta-MKS
14	1	87-19-1549	Hexagon head screw M8x25 Delta-MKS
15	2	87-19-2052	Hexagon head screw M8x60 Delta-MKS
16	3	87-19-0004	Self-locking counter nut M 8 Delta-MKS

17	2	99-20-1451	Hexagon head screw M 8x 30 DIN 933 SST
18	4	99-20-1600	Washer SST A 8.4 DIN 125
19	2	99-20-1193	Self-locking counter nut M 8 SST 1.4401 DIN985 A4-80 Gleitmo
20	4	87-19-1072	Hexagon head screw M6x55 Delta-MKS
21	4	87-19-1378	Washer 6.4x12x1.6 Delta-MKS
22	4	87-19-0003	Self-locking counter nut M 6 Delta-MKS
23	2	99-20-1403	Hexagon head screw M 12x 70 DIN 933 SST
24	4	99-20-1606	Washer SST A 13 DIN 125
25	2	99-20-1508	Self-locking counter nut M12 SST 1.4401 DIN985 A4-80
26	1	87-00-1067	Foot plate galv

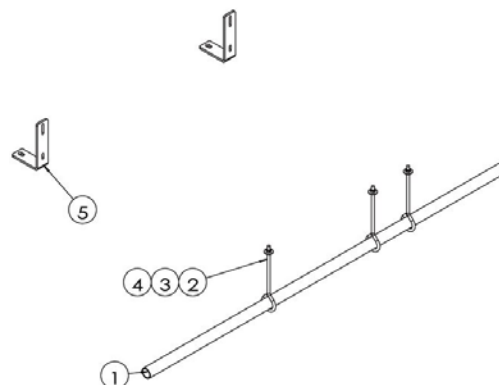
### 4.3 Feet fixing material for farrowing crate

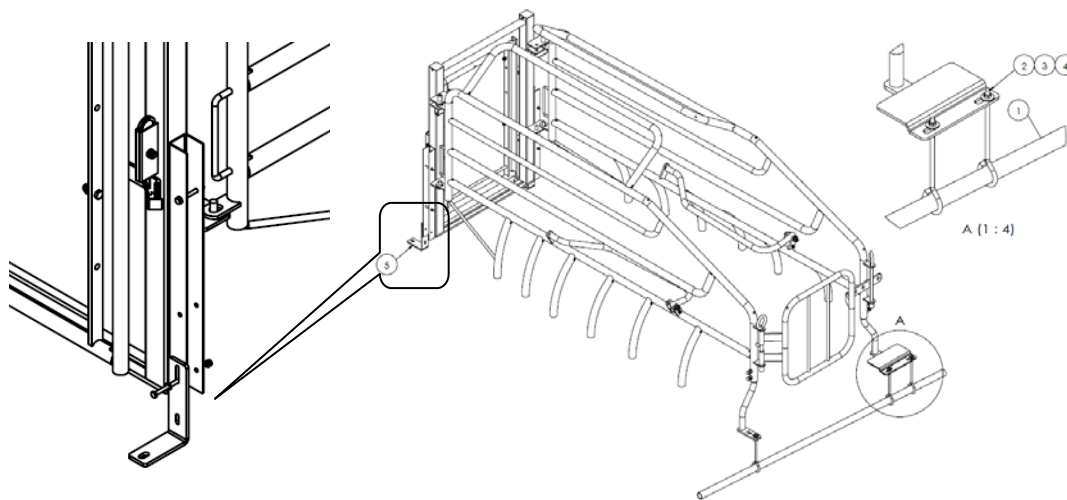
The foot fixing material needs to be selected according to the flooring. The rear feet of farrowing crate are placed inside the farrowing pen, front feet is placed in aisle.

#### 4.3.1 Mounting set for 137mm support (For Australian market)

In Australian market different slats are used than BD standard slats, and the slat support is 137mm high. So the rear feet fixing bolts need to be longer. The front feet bracket fixed on the crate U-profile, the installed hole is depends on the height of farrowing slats. See under drawing.

The front feet bracket floor fixing material is not included in the BOM but supplied in Australian market.

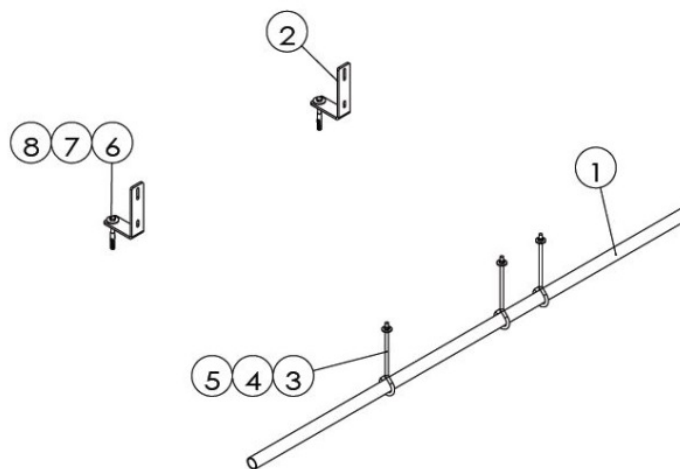




Item	Qty	Code No.	Description
	1	87-03-0001	Mounting set w/eye-bolt M8 f/137mm support excl. front feet fixing bolts
1	1	87-02-5596	Pipe dia.32x2.5 L=1500mm SST
2	3	87-03-0002	Eye bolt M8x50/H208 SST
3	3	99-20-1177	Washer A 8.4x25x2.0 DIN 9021 SST
4	3	99-20-1193	Self-locking counter nut M 8 SST 1.4401 DIN985 A4-80 Gleitmo
5	2	87-02-5597	L foot 155x100x40 galv.

### 4.3.2 Mounting set for 120mm support

If BD standard slats are used in farrowing, we can use 120mm slat supports and select the mounting set for 120mm supports. All fixing material needed for both front and ear feet are included in the BOM.



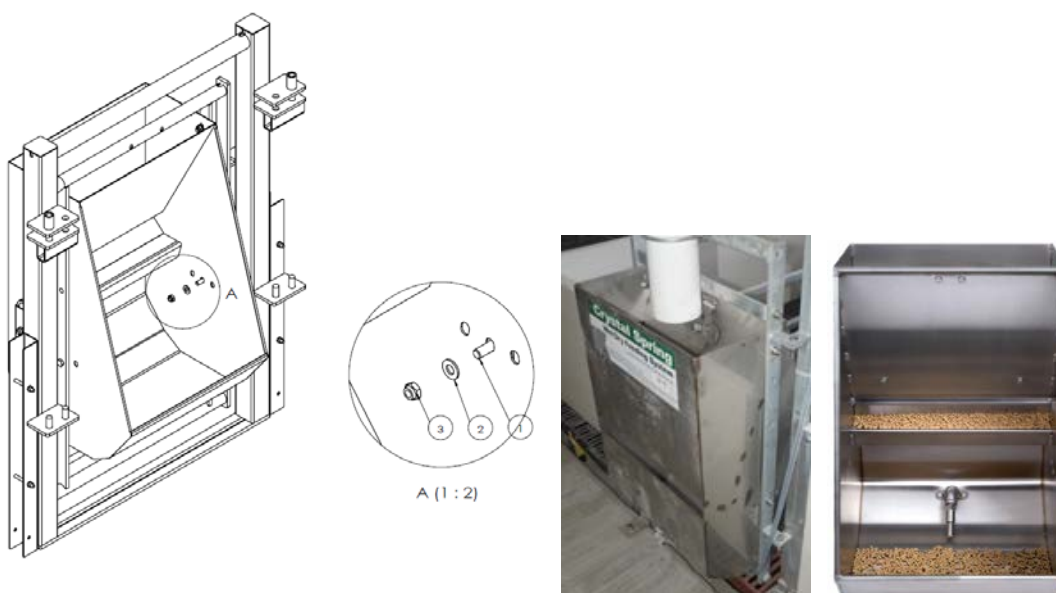
Item	Qty	Code No.	Description
	1	87-03-0260	Mounting set w/eye-bolt M8 f/120mm support
1	1	87-02-5596	Pipe dia.32x2.5 L=1500mm SST
2	2	87-02-5597	L foot 155x100x40 galv.
3	3	87-03-0002	Eye bolt M8x50/H208 SST
4	3	99-20-1177	Washer A 8.4x25x2.0 DIN 9021 SST
5	3	99-20-1193	Self-locking counter nut M 8 SST 1.4401 DIN985 A4-80 Gleitmo
6	2	87-19-0456	Hexagon wood screw M8x50 hot-galv
7	2	87-19-0041	Washer 8.4x30x2 Delta-MKS
8	2	87-19-0457	Dowel dia.12x60

## 4.4 Farrowing sow feeders

### 4.4.1 Crystal Spring feeder for sow wet/dry 2-15"

This feeder can contain small amount of feed in the hopper, sow can intake dry feed directly, or drop dry feed in the bottom of trough and mix with water.

Assembly of feeder:



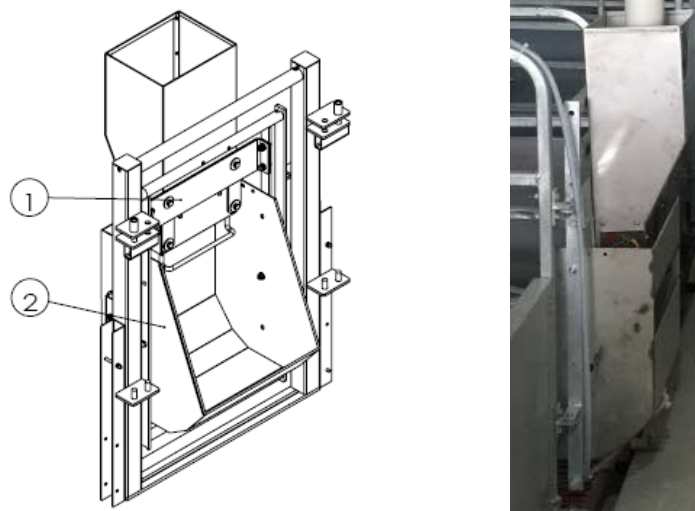
Item	Code No.	Description
1	99-20-1451	Hexagon head screw M 8x 30 DIN 933 SST
2	99-20-1600	Washer SST A 8.4 DIN 125
3	99-20-1193	Self-locking counter nut M 8 SST 1.4401 DIN985 A4-80 Gleitmo

Above assembly material are included in the farrowing crate.



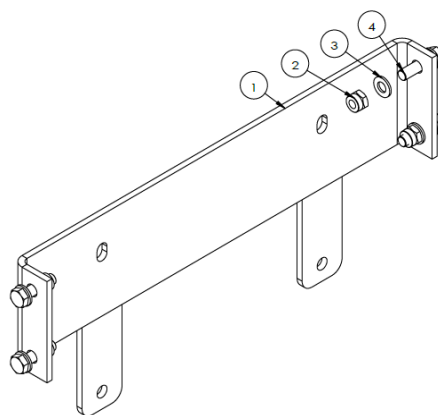
### 4.4.2 Crystal Spring feeder for sow wet/dry 3-15"

This feeder does not include hopper, feed is directly discharged into the trough. It can also combine the sow ad-libitum feeder on top.



If sow ad-libitum feeder is chosen, a mounting set (87-03-0249) for this feeder need to be selected.

Item	Code No.	Description
1	87-03-0249	Bracket 390x87mm cpl. f/fixing Ad-libitum feeder
2	87-00-8588	Ad-libitum sow feeder 16L cpl.f/farrowing crate w/front door



#### 87-03-0249 Bracket 390x87mm cpl. f/Ad-libitum feeder above CS feeder

Item	Qty	Code No.	Description
	1	87-03-0249	Bracket 390x87mm cpl. f/Ad-libitum feeder above CS feeder
1	1	87-03-0248	Bracket 390x87mm galv. f/fixing Ad-libitum feeder
2	4	87-19-0004	Self-locking counter nut M 8 Delta-MKS

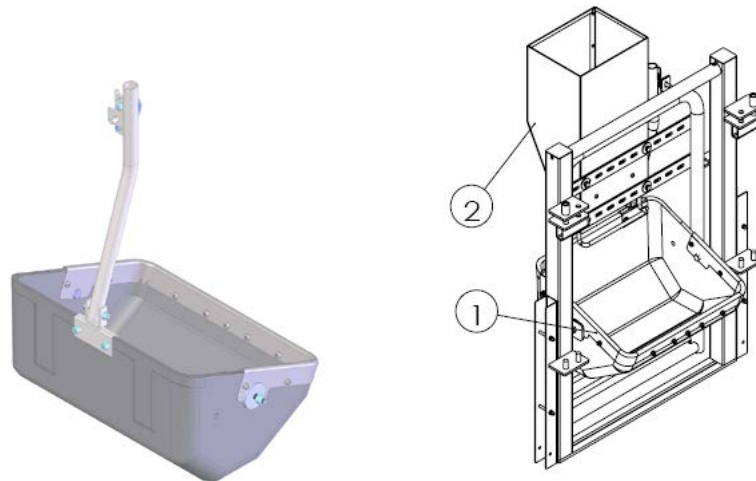
3	4	87-19-0040	Washer 8.4x16x1.6 Delta-MKS
4	4	87-19-1550	Hexagon head screw M8x30 Delta-MKS

## 4.5 BD trough 10L

To use BD 10L trough, please choose farrowing crate with “BDFD” type. There are plastic trough and SST trough options.

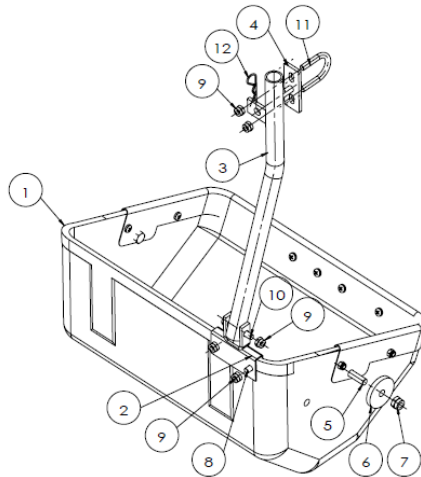
Sow ad-libitum feeder can be combined on top of the 10L trough also. It can be installed on the “BDFD” farrowing crate directly.

### 4.5.1 BD plastic trough 10L



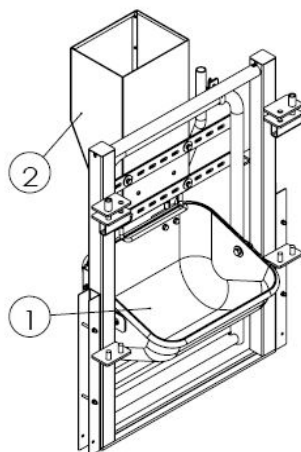
Item	Code No.	Description
1	87-00-0991	Plastic trough 10L tiltable cpl f/BD-Swing w/front door
2	87-00-8588	Ad-libitum sow feeder 16L cpl.f/farrowing crate w/front door

The trough handle is installed on site depends on the solution. If there's no ad-libitum feeder, handle can be installed in the center. In case ad-libitum feeder installed on top of trough, trough handle should be installed on side to avoid conflict.

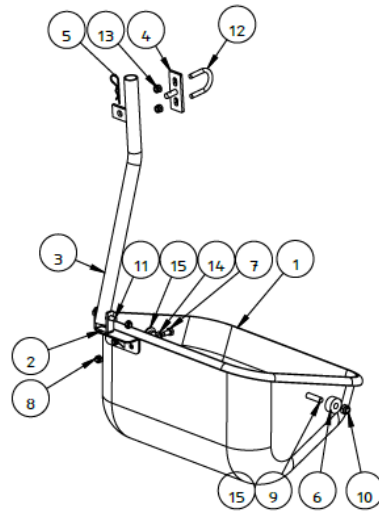


Item	Qty	Code No.	Description
	1	87-00-0991	Plastic trough 10L tilttable cpl f/BD-Swing w/front door
1	1	87-00-0134	Bracket 390x87mm galv. f/fixing Ad-libitum feeder
2	1	87-00-1104	U-connector, welded for lock rod, galv f/BD-Swing
3	1	87-19-0040	Washer 8.4x16x1.6 Delta-MKS
4	1	87-19-1550	Hexagon head screw M8x30 Delta-MKS
5	2	87-19-1090	Hexagon head screw M10x40 Delta-MKS
6	2	87-00-1269	Distance washer Nylon
7	2	87-19-0005	Self-locking counter nut M10 Delta-MKS
8	2	87-19-1549	Hexagon head screw M8x25 Delta-MKS
9	5	87-19-0004	Self-locking counter nut M 8 Delta-MKS
10	1	87-19-0134	Hexagon head screw M8x50 Delta-MKS
11	1	87-19-0509	U-bolt M8x25/W34/H50 Delta-MKS
12	1	87-00-1065	Spring cotter galv

### 4.5.2 BD SST trough 10L



Item	Code No.	Description
1	87-02-9182	Trough SST 10L tiltable cpl f/BD-Swing w/front door
2	87-00-8588	Ad-libitum sow feeder 16L cpl.f./farrowing crate w/front door

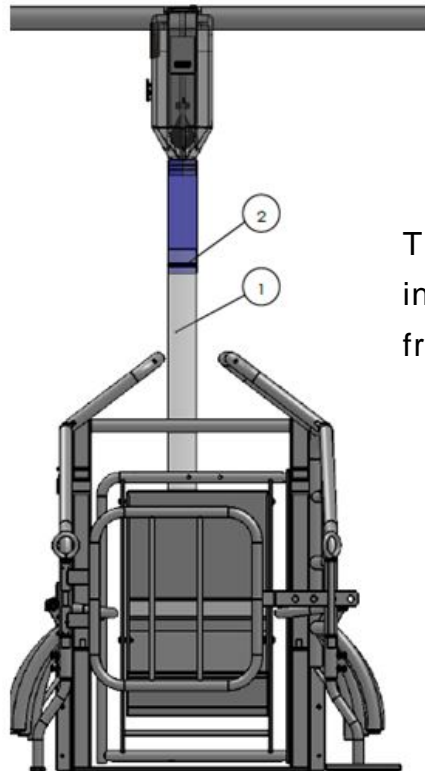


Item	Qty	Code No.	Description
	<b>1</b>	<b>87-02-9182</b>	<b>Trough SST 10L tiltable cpl f/BD-Swing w/front door</b>
1	1	87-02-3814	Trough SST for BD swing
2	1	87-02-9178	Connector for lock rod
3	1	87-02-9179	Lock rod, welded
4	1	87-00-1106	Lock rod, welded
5	1	87-00-1065	Spring cotter galv
6	2	87-02-9180	Distance washer nylon dia30
7	2	99-20-1400	Hexagon head screw M 8x 16 DIN 933 SST
8	3	99-20-1193	Self-locking counter nut M 8 SST 1.4401 DIN985 A4-80 Gleitmo
9	2	83-03-6192	Hexagon head screw M 10x 40 SST DIN 933
10	2	99-20-1502	Self-locking counter nut M10 SST 1.4401 DIN985 A4-80 Gleitmo
11	1	99-20-1409	Hexagon head screw M 8x 50 DIN 933 SST
12	1	99-20-0509	U-bolt M8x25/W34/H50 Delta-MKS
13	2	87-19-0004	Self-locking counter nut M 8 Delta-MKS
14	2	87-19-0042	Washer 8.4x16x1.6 SST
15	2	99-20-1605	Washer A 10.5x30x2.5 DIN 9021 SST

## 5. Drop-pipe options

There are different drop pipe solutions for different market demands.

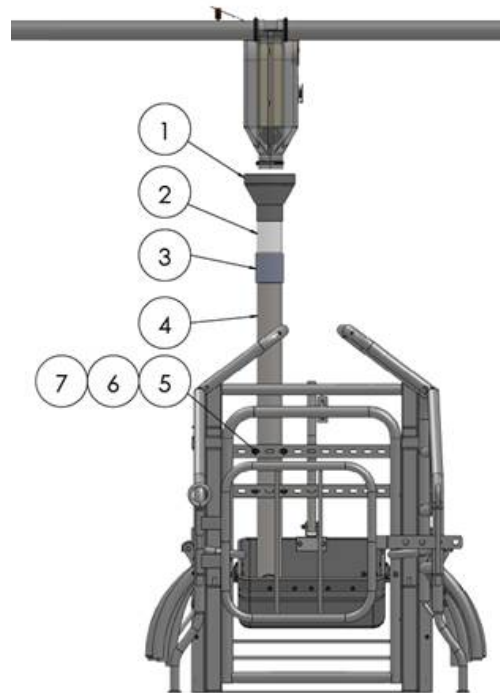
### 5.1 Drop-pipe 75mm PVC f/dispenser w/o flexible hose farrowing SY cpl. (For Australian market)



The flexible hose is not included in the BOM, supplied from Australia.

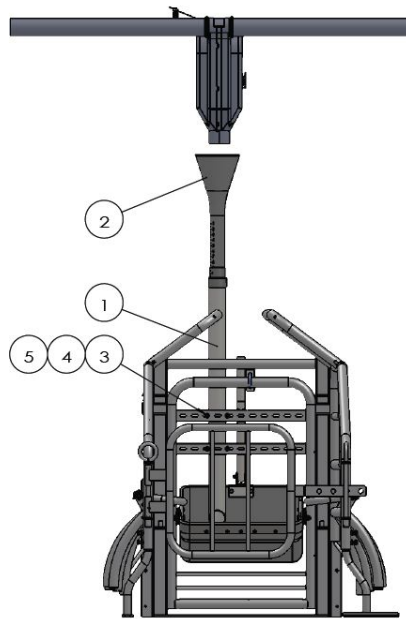
Item	Qty	Code No.	Description
	1	87-01-1304	Drop-pipe 75mm PVC f/dispenser w/o flexible hose farrowing SY cpl.
1	0.2	87-19-0936	PVC pipe 75x2.3-4000mm white 0.6Mpa
2	1	87-19-0475	Hose band clip 70-89mm SST

## 5.2 Drop-pipe 60mm straight w/telescopic bell-mouth f/farrowing cpl. (For Australian market)



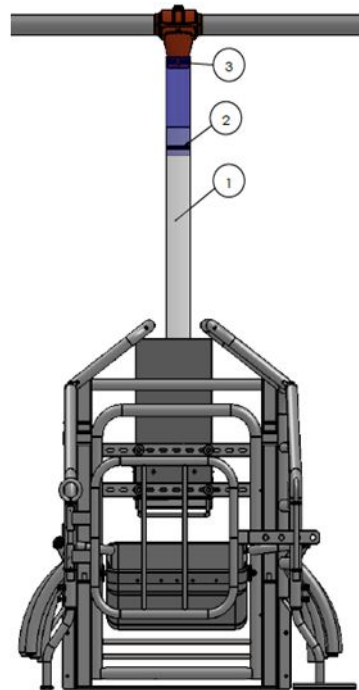
Item	Qty	Code No.	Description
	1	87-00-8350	<b>Straight drop-pipe cpl. w/funnel f/gestation w/front door</b>
1	1	87-00-6332	Funnel for drop pipe
2	0.2	87-19-0936	PVC pipe 75x2.3-4000mm white 0.6Mpa
3	1	87-00-8430	Socket dia. 75-76mm UPVC
4	1	87-00-0070	Pipe dia. 75x2.5mm 1 meter high hot-galv.
5	2	87-19-0512	U-bolt M8x20/W78/H93 Delta-MKS
6	4	87-19-0040	Washer 8.4x16x1.6 Delta-MKS
7	4	87-19-1307	Hexagon nut M8 Delta-MKS

### 5.3 Drop-pipe 60mm straight w/telescopic bell-mouth f/farrowing cpl.



Item	Qty	Code No.	Description
	<b>1</b>	<b>87-02-1696</b>	<b>Drop-pipe 60mm straight w/telescopic bell-mouth f/farrowing cpl.</b>
1	1	87-02-1691	Drop pipe Dia.60x2.0mm 0.9 meter high hot-galv.
2	1	87-01-1096	Drop-pipe w/bell-mouth (Dia.160mm)L=28-55cm tele.pp white 60
3	2	87-19-2120	U-bolt Delta-MKS M8x25/W65/H80
4	4	87-19-0040	Washer 8.4x16x1.6 Delta-MKS
5	4	87-19-0004	Self-locking counter nut M 8 Delta-MKS

## 5.4 Drop-pipe 75mm PVC for T-outlet w/o flexible hose farrowing SY cpl. (For Australian market)

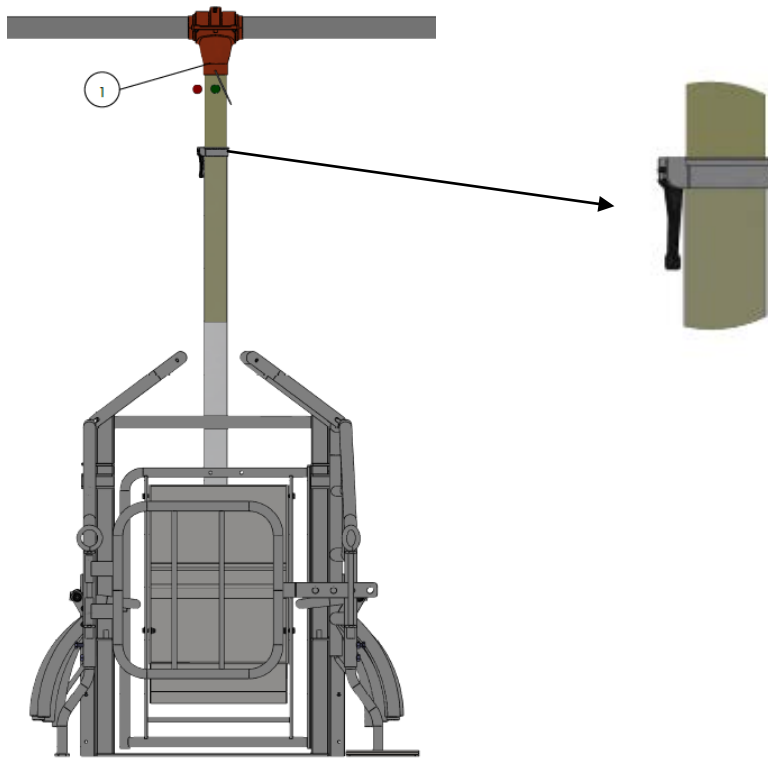


The flexible hose is not included in the BOM, supplied from Australia.

Item	Qty	Code No.	Description
	1	87-01-1305	Drop-pipe 75mm PVC for T-outlet wo flexible hose farrowing SY cpl.
1	0.2	87-19-0936	PVC pipe 75x2.3-4000mm white 0.6Mpa
2	1	87-19-0473	Hose band clip 50-70mm SST
3	1	87-19-0475	Hose band clip 70-89mm SST



### 5.5 T-outlet w/Drop pipe cpl DR1500, telescopic 1600

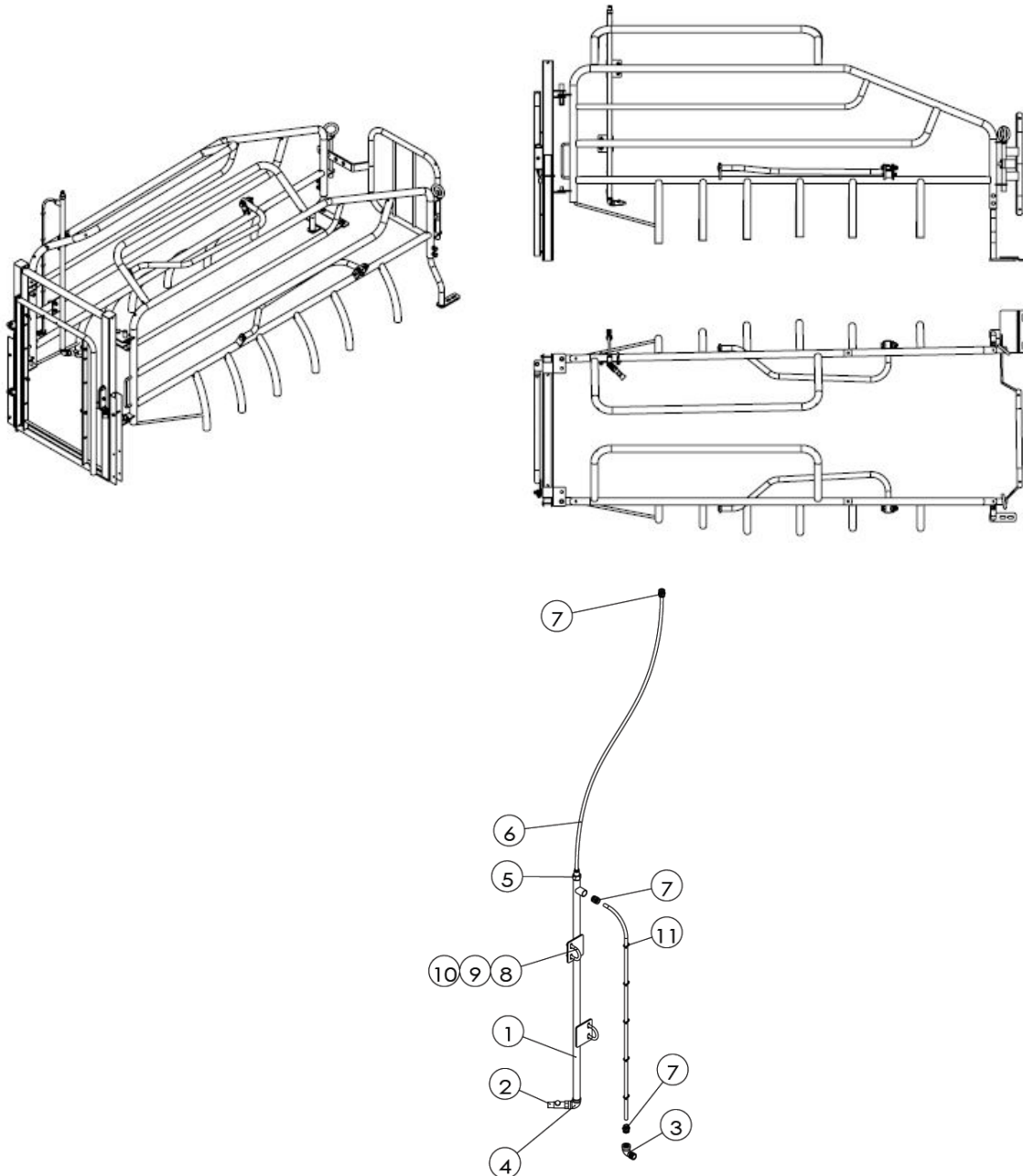


Item	Qty	Code No.	Description
1	1	83-04-4081	Outlet orange cable-operated DR 1500 w/drop pipe telescopic

## 6. Drinkers for sows

### 6.1 Sow drinkers for CS wet/dry feeder

This type of sow drinker is equipped for CS feeder. The drinking nipple is located at low position at sow's lying height. On top of the drinker combine a T-piece with water hose for water supply to CS feeder. Sow can drink from CS dry-wet feeder as well.



Item	Qty	Code No.	Description
	1	87-03-0010	Drinker L=900mm 1/2"m 1 nipple f/farrowing type-16
1	1	87-02-5752	Drinking pipe L=900mm SST welded f/sow
2	1	87-02-4135	Nipple for drinker with bite ball SST
3	1	87-19-1565	Elbow 90deg fm/m 1/2" SST
4	1	87-19-1566	Elbow 90deg female 1/2" SST
5	1	87-19-3403	Fitting female 1/2"x10mm for air hose, brass
6	4	87-19-3611	Air hose PU 10x1.75 blue
7	3	87-19-3398	Fitting male 1/2"x10mm for air hose, brass
8	2	87-19-0509	U-bolt M8x25/W34/H50 Delta-MKS
9	4	87-19-0040	Washer 8.4x16x1.6 Delta-MKS
10	4	87-19-0004	Self-locking counter nut M 8 Delta-MKS
11	5	87-19-3490	Strap 3x200
12	0.7	87-19-0649	Sealing strip 10m for thread

## 7. Maintenance plan

- Use the assigned material for installation, check equipment functions after installation.
- Check the assembly material regularly, fasten assembly material if necessary.
- Check the functioning parts regularly; replace wear-out parts if necessary.

