



STOCKYARD INDUSTRIES
Consumables Catalogue



Scan the code to print our order form

Watering Systems



132-0001 - Water Swing - Trojan



- 113-93570** - Drinker Bowl Weaner SST (15 Pigs/cup) Mounting Height 12cm
- 113-93575** - Drinker Bowl Finisher SST (15 Pigs/cup) Mounting Height 25cm
- 113-93600** - Drinker Bowl Sow SST (10 Pigs/cup) Mounting Height 35cm



- 132-00135** - 1/2" SST Watercup Pipes MALE/MALE L-1200MM
- 132-00124** - 1/2" SST Watercup Pipes MALE/MALE L-900MM
- 132-00129** - 1/2" SST Watercup Pipes MALE/MALE L-600MM

Bite Ball Drinkers - Aquaglobe



- 132-00003** - Bite Ball Drinker for Piglet HP 1/2"
- 132-00004** - Bite Ball Drinker for Piglet LP 1/2"
- 132-00007** - Bite Ball Drinker for Sow LP 1/2"
- 132-00008** - Bite Ball Drinker for Finisher/Sow HP 1/2"
- 132-00009** - Bite Ball Drinker Finisher/Sow LP 1/2"

Drinker Nipples



132-00083 - Trojan Nipple



132-00013 - BND 1/2" Bite Nipple SST Bite Nipple for Finishers



132-20116 - RCD Nipple 1/2" for Weaner W/LGE Back Hole -No Sieve



132-00012 - Water Nipple 45L Style (For Wet/Dry Feeders)



132-00025 - Penguin Nipple - SST for Wet/Dry Feeders



132-20172 - 1/2" Button Drinker (LGE hole for Sow/Finisher)



132-20261 - 1/2" Short Toggle Drinker (LGE Back Hole to suit Feeders)



132-20255 - 1/2" Long Toggle Drinker (LGE Back Hole to suit Feeders)



132-20706 - 1/2" x 1/2" x 45 Deg Bracket Fitting SST



132-20709 - 1/2" x 1/2" x 90 Deg Bracket Fitting SST

AI Equipment



- 131-00015** - AI Bottles with Caps 100mL 500/Box - Blue
- 131-00017** - AI Bottles with Caps 100mL 500/Box - Green
- 131-00019** - AI Bottles with Caps 100mL 500/Box - Purple



- 131-00026** - Spiral Catheters - 500/Box
- 131-00028** - Foam Tip Sow with Rubber End - 500/Box
- 131-00030** - Foam Tip Gilt with Rubber End - 500/Box
- 131-00057** - PCAI Catheters - 1000/Box



131-00022 - AI Buddy - 20/Box



171-00029 - AI Semen Tubes - 1000/Box



131-00009 - Sac.co Flat Packs - 1000/Box



131-00005 - Collection Bags with Filters - w1000/Box



Scan the code to print our order form

Marking Equipment



- 134-00001 - Marking Spray - Blue - 12/Box
- 134-00002 - Marking Spray - Green - 12/Box
- 134-00003 - Marking Spray - Red - 12/Box



- 134-00004 - Raidex Marking Crayon - Blue - 10/box - 50/CTN
- 134-00005 - Raidex Marking Crayon - Green - 10/box - 50/CTN
- 134-00006 - Raidex Marking Crayon - Purple - 10/box - 50/CTN
- 134-00007 - Raidex Marking Crayon - Red - 10/box - 50/CTN

Heat Lamps



- 133-100PARC2 - Globe Interheat 100W Clear - 24/Box
- 133-175PARC2 - Globe Interheat 175W Clear - 24/Box
- 133-175PARR2 - Globe Interheat 175W Red - 24/Box



- 133-00037 - Lamp Protector - Interheat - Small 10/Box
- 133-00034 - Lamp Protector - Interheat - Large 10/Box



- 133-00010 - Globe - Phillips - 100W - Clear - 12/Box
- 133-00011 - Globe - Phillips - 175W - Clear - 12/Box
- 133-00012 - Globe - Phillips - 100W - Red - 12/Box
- 133-00013 - Globe - Phillips - 175W - Red - 12/Box

Rodent Control



- 135-00545 - GENERATION - First Strike - Soft Bait - 550 Pouches/bucket
- 135-00650 - Selontra Soft Bait - 5kg Bucket
- 135-200294 - Bromakil Block Bait for Rats and Mice -10Kg
- 135-200295 - Bromakil Grain Bait for Rats and Mice -15kg

Other Consumables



- 135-00326 - Alize Litter Conditioner - 25Kg Bag

Needles and Syringes



- 131-00032 -1mL Syringe BD Tuberculin - 100/Pack



- 135-00554 - Syringe Terumo - 3mL - 100/Pk
- 135-00555 - Syringe Terumo - 5mL - 100/Pk
- 135-00556 - Syringe Terumo - 10mL - 100/Pk
- 135-00557 - Syringe Terumo - 20mL - 100/Pk



- 135-00571 - Ideal Needles CVD3 Detectable - 16G 5/8" - 100/Pk
- 135-00572 - Ideal Needles CVD3 Detectable - 16G 3/8" - 100/Pk
- 135-00573 - Ideal Needles CVD3 Detectable - 18G 5/8" - 100/Pk
- 135-00574 - Ideal Needles CVD3 Detectable - 18G 1.5" - 100/Pk
- 135-00575 - Ideal Needles CVD3 Detectable - 20G 0.5" - 100/Pk



- 135-00576 - Ideal Needles CVAH - 16G 5/8" - 100/Pk
- 135-00577 - Ideal Needles CVAH - 18G 5/8" - 100/Pk
- 135-00578 - Ideal Needles CVAH - 18G 1.5" - 100/Pk
- 135-00579 - Ideal Needles CVAH - 18G 1" - 100/Pk



- 135-00567 - SST Needles - 16G 5/8" - 12/Box
- 135-00568 - SST Needles - 18G 0.5" - 12/Box
- 135-00569 - SST Needles - 18G 1.5" - 12/Box
- 135-00570 - SST Needles - 20G 0.5" - 12/Box



- 135-00564 - Vetart Vaccination Bottle Mount Gun - 1mL
- 135-00565 - Vetart Vaccination Bottle Mount Gun - 2mL



- 135-00588 - Primattec Bottle Mount Vaccination Gun - 1mL
- 135-00589 - Primattec Bottle Mount Vaccination Gun - 2mL

Pig Handling Equipment



- 135-00005 - Carcass Cart



- 151-00088 - Hercules Arm (Motorised Pig Hearse)



- 135-00007 - Pig Flappers



- 135-00127 - Pig Paddle PVC 42' with Rattle



- 135-00015 - Sorting Panel - Small (460mm x 770mm)
- 135-00014 - Sorting Panel - Medium (920mm x 770mm)
- 135-00013 - Sorting Panel - Large (1250mm x 770mm)



Scan the code to print our order form



135-00090 - Disposable Boot Covers - 50/Box - 500/Ctn



- 135-00558** - Latex Gloves Ultra Fresh - Small - 100/Pk
- 135-00559** - Latex Gloves Ultra Fresh - Medium - 100/Pk
- 135-00560** - Latex Gloves Ultra Fresh - Large - 100/Pk
- 135-00561** - Latex Gloves Ultra Fresh - Extra Large - 100/Pk



135-00552 - Ear Notcher Large V "Stone"



135-00009 - Ear Notcher Small V "Stone"



135-00550 - Universal Tail Scissors



135-00553 - Stericut Gas Tail Cutter



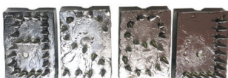
135-00562 - Coxi-Stop 50 - Piglet & Cattle - 1L



131-223210 - Chloramide Spray - 500mL



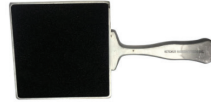
135-00544 - Pig Snare Heavy Duty



135-00540 - ILS Slap Tattoo Symbols



135-00073 - Tattoo Ink Black



135-00565 - Ketchum Neoprene Inking Box



135-00039 - Standard Tattoo Hammer Single Row - 4 Digit ILS Symbols

Feed Trolley



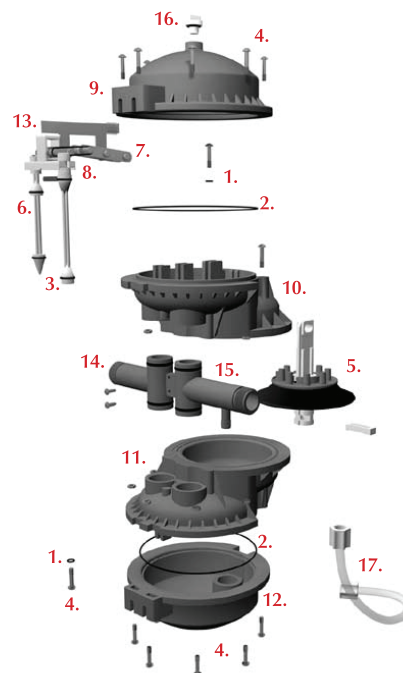
- 135-00001** - Feed Trolley 601 - 100cm x 46cm x 89cm (Approx. 108Kg of Feed)
- 135-00002** - Feed Trolley 801 - 112cm x 51cm x 94cm (Approx. 148Kg of Feed)

Chemilizer



141-00003 - Chemilizer HN55 Medicator Pump

Chemilizer Spare Parts



- 1) 143-00003** - Buna O Ring
- 2) 143-00007** - Buna O Ring Body Cap
- 3) 143-00016** - Buna O Ring Inlet/Outlet Valve
- 4) 143-00019** - Screws for Water Motor
- 5) 143-00022** - Diaphragm Assembly
- 6) 143-00034** - Inlet/Outlet Valve Assembly
- 7) 143-00035** - Pivot Arm Assembly
- 8) 143-00036** - Acuator Arm Assembly
- 9) 143-00044** - Top Cap for Water Motor
- 10) 143-00045** - Main Top Body
- 11) 143-00046** - Main Bottom Body
- 12) 143-00047** - Bottom Cap for Water Motor
- 13) 143-00048** - Top Bypass
- 14) 143-00049** - Inlet Tee for Water Motor
- 15) 143-00050** - Outlet Tee for Water Motor
- 16) 143-00051** - Twist Air Vent Assembly
- 17) 143-00066** - Delivery Hose